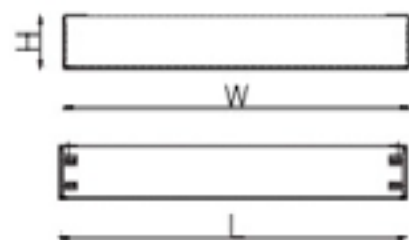


Dimensions



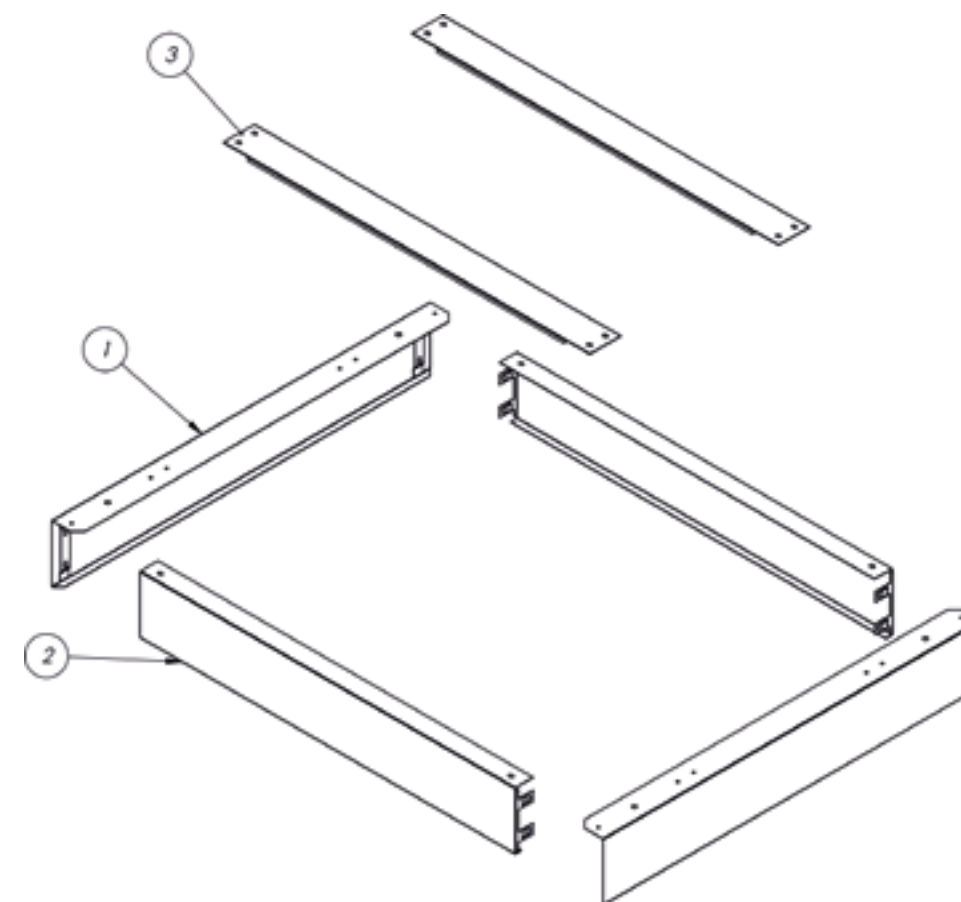
Size	L (Inches)	W (Inches)	H (Inches)
1'x4'	48,07	11,96	3,60
2'x2'	23,95	23,85	3,60
2'x4'	48,07	23,85	3,60

Features & Benefits

- Rigid Steel Frame.
- Easy to assemble.
- Formed and welded in 23 Gauge Steel.
- Electrostatically applied polyester powder coat paint in Matte White Finish with 92%.

Packing

Size	Unit Weight (Pounds)	Qty/ Pallet	Pallet's/ 40'Cnt	Weight per Pallet (Pounds)
1'x4'	5,5	300	22	1650
2'x2'	4,84	300	25	1452
2'x4'	6,82	300	18	2046



USK 310 1x4			USK 310 2x2			USK 310 2x4		
DESCRIPTION	PART NUMBER	QTTY	DESCRIPTION	PART NUMBER	QTTY	DESCRIPTION	PART NUMBER	QTTY
Headboard	310 1431	2	Headboard	310 2231	2	Headboard	310 2231	2
Side Surface Kit	310 2472	2	Side Surface Kit	310 2272	2	Side Surface Kit	310 2472	2
Galvanized Bar	310 1401	2	Galvanized Bar	310 2201	2	Galvanized Bar	310 2201	2

*Lens are optional, available to purchase separately.
*Metal Parts Only, Hardware necessary to assemble are not included.