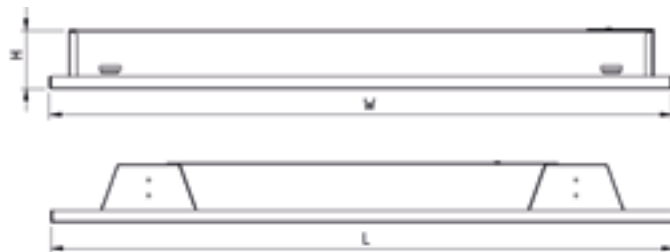




Dimensions



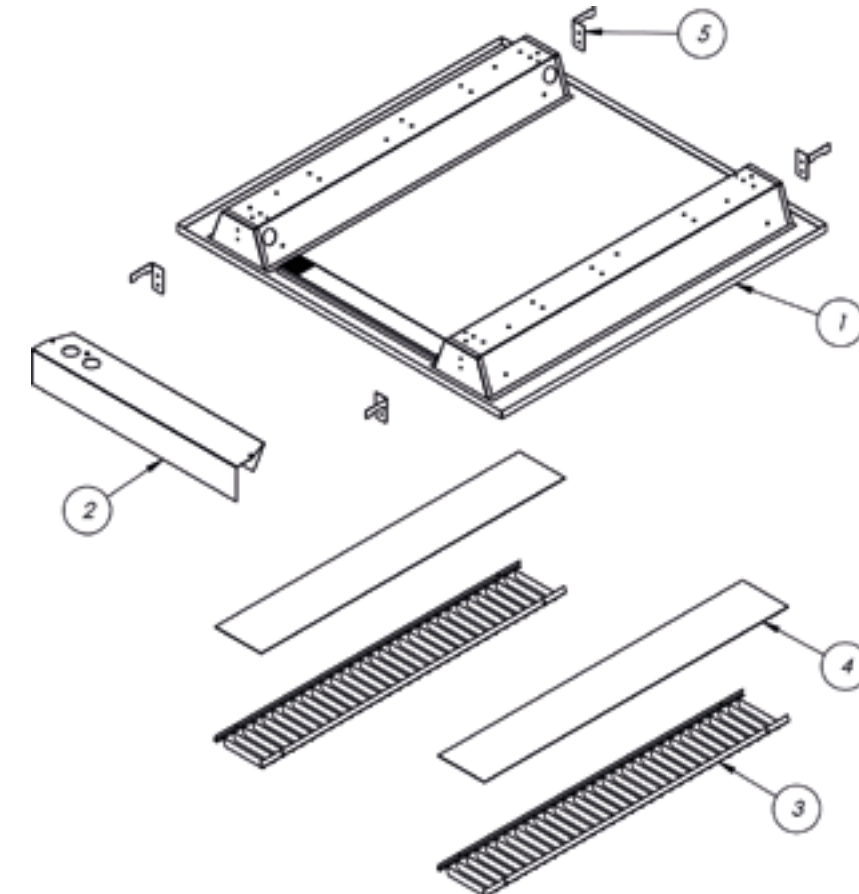
Size	L (Inches)	W (Inches)	H (Inches)
2'x2'	23,74	23,74	2,24

Features & Benefits

- Recessed mounted.
- Electrostatically applied polyester powder coat paint in Matte black Finish.
- Acrylic Technical Frosted diffuser with 80% light transmission.
- Baffled Optical System with glare control effect.
- Formed and welded in 23 Gauge steel (0.60mm).
- Custom LED Hole patterns are available, verify with factory.

Packing

Size	Light Emission	Unit Weigh (Pounds)	Qty/ Pallet	Pallet's/ 40'Cnt	Weigh per Pallet (Pounds)
2'x2'	Led Modules	11,11	120	27	1334



UGR 512 2x2		
DESCRIPTION	PART NUMBER	QTTY
Body	512 2210	1
Driver Cover	512 2261	1
Baffles	512 2222	2
Plastic Lens	512 2252	1
Earthquake Protection	02	4

*Lens are optional, available to purchase separately.
*Metal Parts Only, Hardware necessary to assemble are not included.