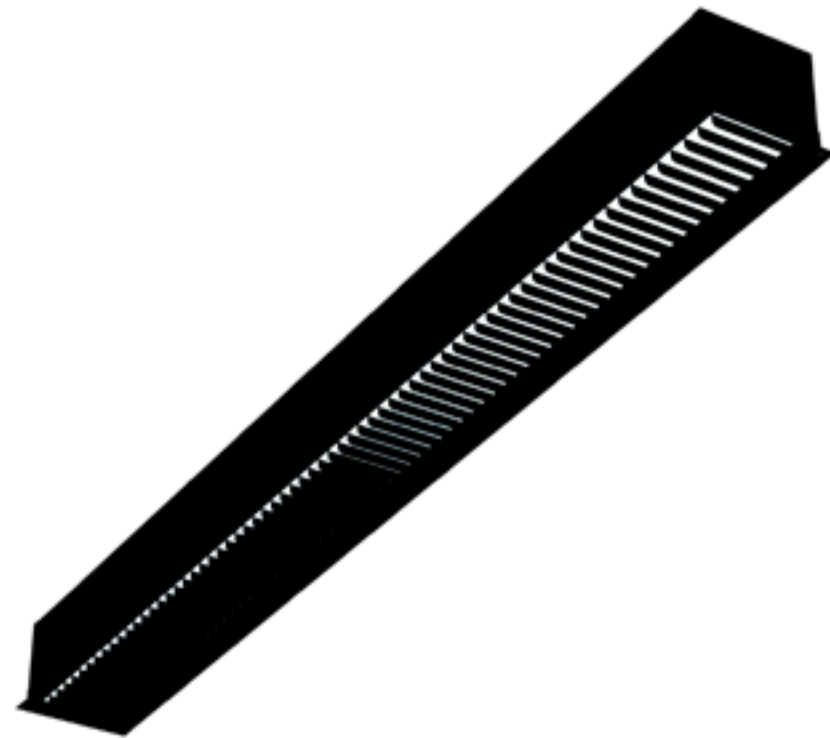
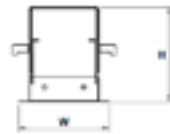


UGR 512 4"



Dimensions



| Size | L (Inches) | W (Inches) | H (Inches) | W Total |
|------|------------|------------|------------|---------|
| 4FT | 47,01 | 4,33 | 3,98 | 4,56 |
| 8FT | 94,02 | 4,33 | 3,98 | 4,56 |

Features & Benefits

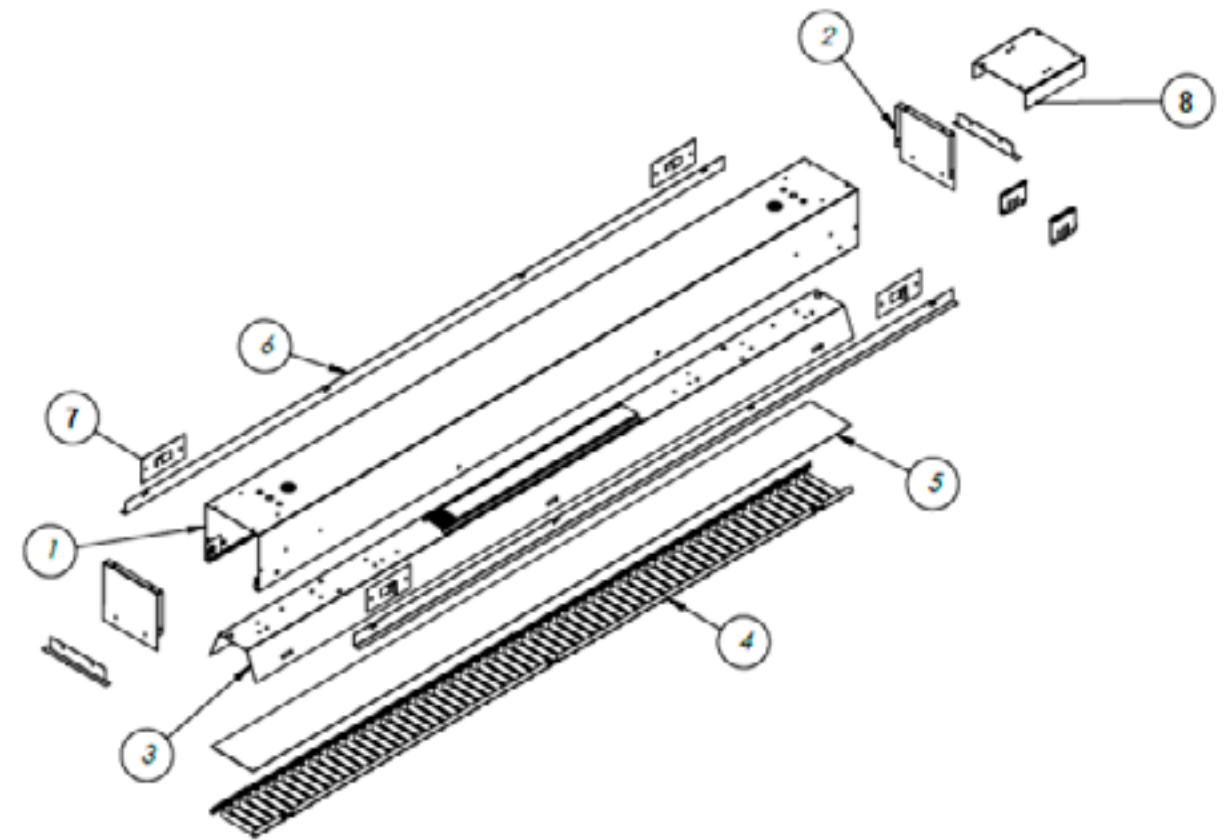
- Recessed Installation Option.
- Electrostatically applied polyester powder coat paint in Matte black Finish.
- 4"x 4FT, 4"x 8FT standard sizes. 4"x 2FT it's available, verify with factory.
- Acrylic Technical Frosted diffuser with 80% light transmission.
- Baffled Optical System with glare control effect.
- Formed and welded in 23 Gauge steel (0.60mm).
- Can be mounted individually or in continuous runs.
- Custom LED Hole patterns are available, verify with factory.

Packing

| Size | Light Emission | Unit Weighth (Pounds) | Qty/ Pallet | Pallet's/ 40'Cnt | Weighth per Pallet (Pounds) |
|------|----------------|-----------------------|-------------|------------------|-----------------------------|
| 4FT | Led Modules | 12,1 | 110 | 27 | 1331 |
| 8FT | Led Modules | 20,57 | 110 | 12 | 2263 |



UGR 512 4"



| UGR 512 4"x 2FT | | | UGR 512 4"x 4FT | | | UGR 512 4"x 8FT | | |
|-----------------------|-------------|-----|-----------------------|-------------|-----|-----------------------|-------------|-----|
| DESCRIPTION | PART NUMBER | QTT | DESCRIPTION | PART NUMBER | QTT | DESCRIPTION | PART NUMBER | QTT |
| Body | 512 4210 | 1 | Body | 512 4410 | 1 | Body | 512 4410 | 1 |
| Headboard | 512 4231 | 2 | Headboard | 512 4231 | 2 | Headboard | 512 4231 | 2 |
| LED Chassis | 312 4206 | 1 | LED Chassis | 312 4406 | 1 | LED Chassis | 312 4206 | 1 |
| Baffles | 312 4222 | 1 | Baffles | 312 4422 | 1 | Baffles | 312 4422 | 1 |
| Plastic Lens | 312 4252 | 4 | Plastic Lens | 312 4452 | 4 | Plastic Lens | 312 4452 | 4 |
| Ceiling Frame | 3552 4205 | 1 | Ceiling Frame | 3552 4405 | 1 | Ceiling Frame | 3552 4405 | 1 |
| Earthquake Protection | 02 | 4 | Earthquake Protection | 02 | 4 | Earthquake Protection | 02 | 4 |
| OPTIONAL ITEMS | | | | | | | | |
| Joiner | 312 4417 | 1 | Joiner | 312 4417 | 1 | Joiner | 312 4417 | 1 |

*Lens are optional, available to purchase separately.
*Metal Parts Only, Hardware necessary to assemble are not included.

