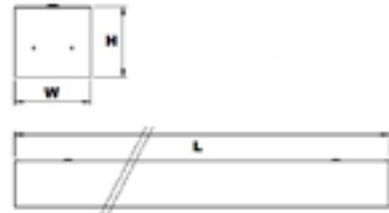


# UGR 312 4"



## Dimensions



Size	L (Inches)	W (Inches)	H (Inches)
4FT	47,01	4,33	3,98
8FT	94,02	4,33	3,98

## Features & Benefits

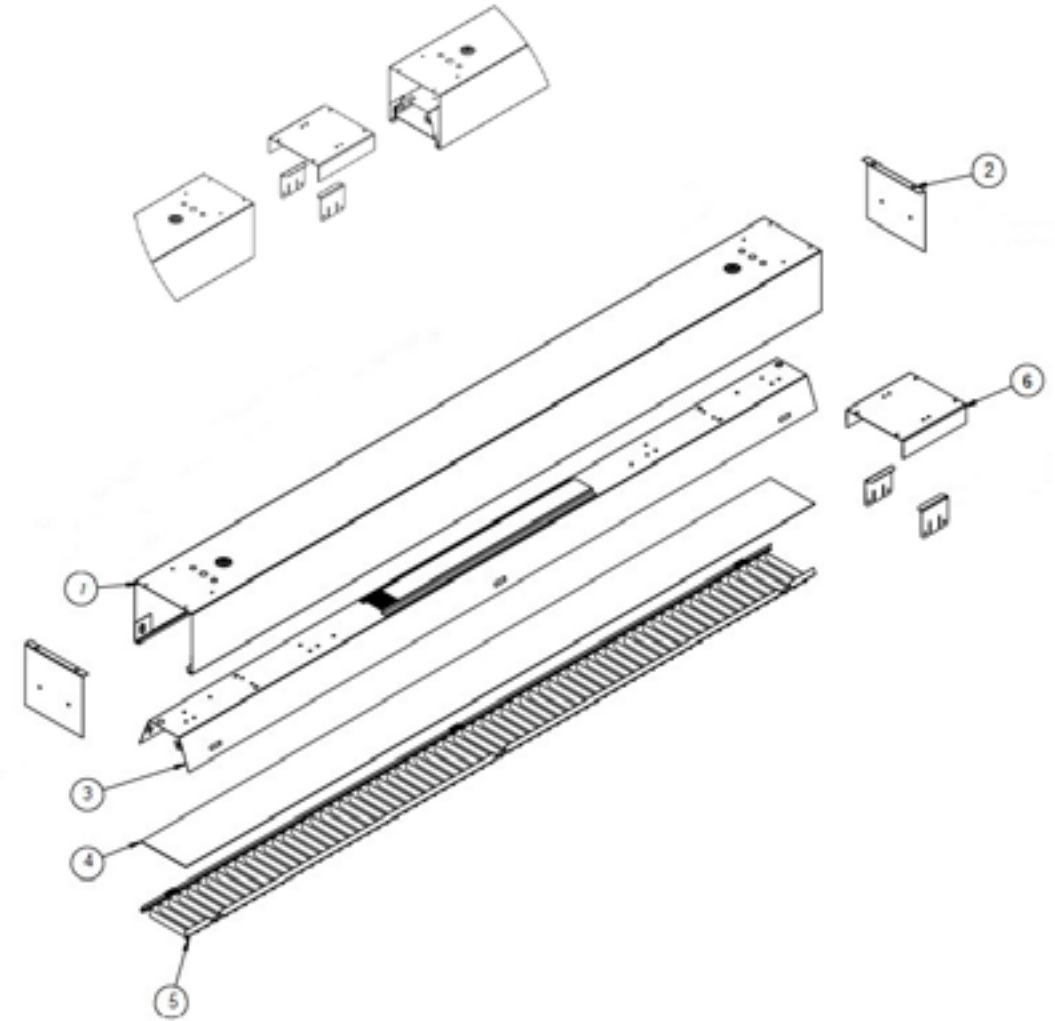
- Pendant or Surface Installation Options.
- Electrostatically applied polyester powder coat paint in Matte black Finish.
- 4"x 4FT, 4"x 8FT standard sizes. 4"x 2FT it's available, verify with factory.
- Acrylic Technical Frosted diffuser with 80% light transmission.
- Baffled Optical System with glare control effect.
- Formed and welded in 23 Gauge steel (0.60mm).
- Can be mounted individually or in continuous runs.
- Custom LED Hole patterns are available, verify with factory.

## Packing

Size	Light Emission	Unit Weigh (Pounds)	Qty/ Pallet	Pallet's/ 40'Cnt	Weigh per Pallet (Pounds)
4FT	Led Modules	9,90	110	27	1089
8FT	Led Modules	16,83	110	12	1852



# UGR 312 4"



UGR 312 4"x 2FT			UGR 312 4"x 4FT			UGR 312 4"x 8FT		
DESCRIPTION	PART NUMBER	QTT	DESCRIPTION	PART NUMBER	QTT	DESCRIPTION	PART NUMBER	QTT
Body	312 4210	1	Body	312 4410	1	Body	312 4810	1
Headboard	312 4231	2	Headboard	312 4231	2	Headboard	312 4231	2
LED Chassis	312 4206	1	LED Chassis	312 4406	1	LED Chassis	312 4406	1
Plastic Lens	312 4252	1	Plastic Lens	312 4452	1	Plastic Lens	312 4452	1
Baffles	312 4222	1	Baffles	312 4422	1	Baffles	312 4422	1
OPTIONAL ITEMS								
Joiner	312 4417	1	Joiner	312 4417	1	Joiner	312 4417	1

\*Lens are optional, available to purchase separately.  
\*Metal Parts Only, Hardware necessary to assemble are not included.

