

Dimensions



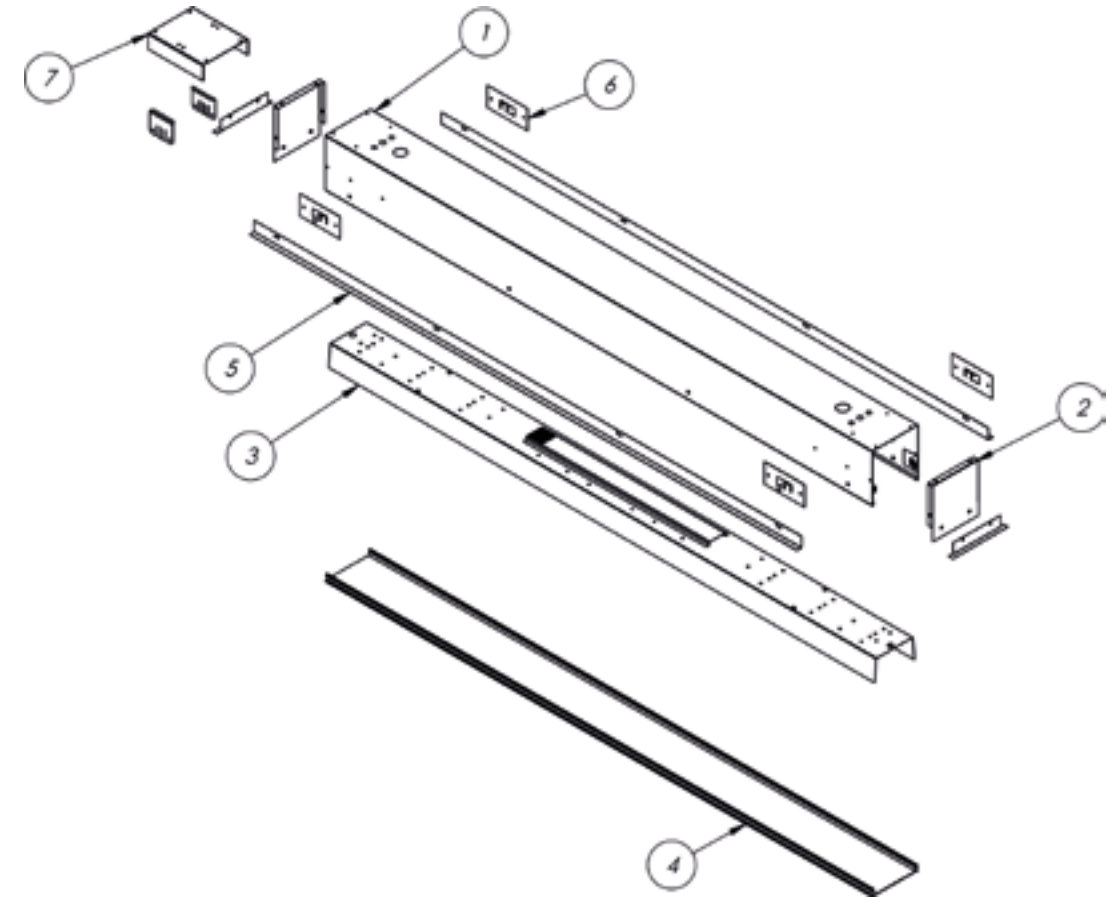
Size	L (Inches)	W (Inches)	H (Inches)	W Total
4"x 2FT	23,10	3,90	4,14	4,72
4"x 4FT	46,30	3,90	4,14	4,72
4"x 8FT	92,48	3,90	4,14	4,72

Features & Benefits

- Recessed Installation Option.
- Electrostatically applied polyester powder coat paint in Matte White Finish with 92% reflectance.
- 4"x 4FT, 4"x 8FT standard sizes. 4"x 2FT it's available, verify with factory.
- Acrylic Technical Frosted diffuser with 80% light transmission.
- Formed and welded in 23 Gauge steel (0.60mm).
- Can be mounted individually or in continuous runs.
- Custom LED Hole patterns are available, verify with factory.

Packing

Size	Light Emission	Unit Weigth (Pounds)	Qty/ Pallet	Pallet's/ 40'Cnt	Weigth per Pallet (Pounds)
4"x 2FT	Led Modules	5,06	220	27	1114
4"x 4FT	Led Modules	9,68	110	27	1065
4"x 8FT	Led Modules	14,74	110	12	1622



LAL 3552 4"x 2FT			LAL 3552 4"x 4FT			LAL 3552 4"x 8FT		
DESCRIPTION	PART NUMBER	QTT	DESCRIPTION	PART NUMBER	QTT	DESCRIPTION	PART NUMBER	QTT
Body	3552 4210	1	Body	3352 4410	1	Body	3352 4810	1
Headboard	3552 4231	2	Headboard	3552 4231	2	Headboard	3552 4231	2
LED Chassis	3352 4206	1	LED Chassis	3352 4406	2	LED Chassis	3352 4406	2
Extruded Lens	552 4252	1	Extruded Lens	552 4452	1	Extruded Lens	552 4452	2
Ceiling Frame	3552 4205	1	Ceiling Frame	3552 4405	1	Ceiling Frame	3552 4805	1
Earthquake Protection	02	4	Earthquake Protection	02	4	Earthquake Protection	02	4
OPTIONAL ITEMS								
Joiner	3352 4217	1	Joiner	3352 4217	1	Joiner	3352 4217	1

*Lens are optional, available to purchase separately.
*Metal Parts Only, Hardware necessary to assemble are not included.