



Dimensions



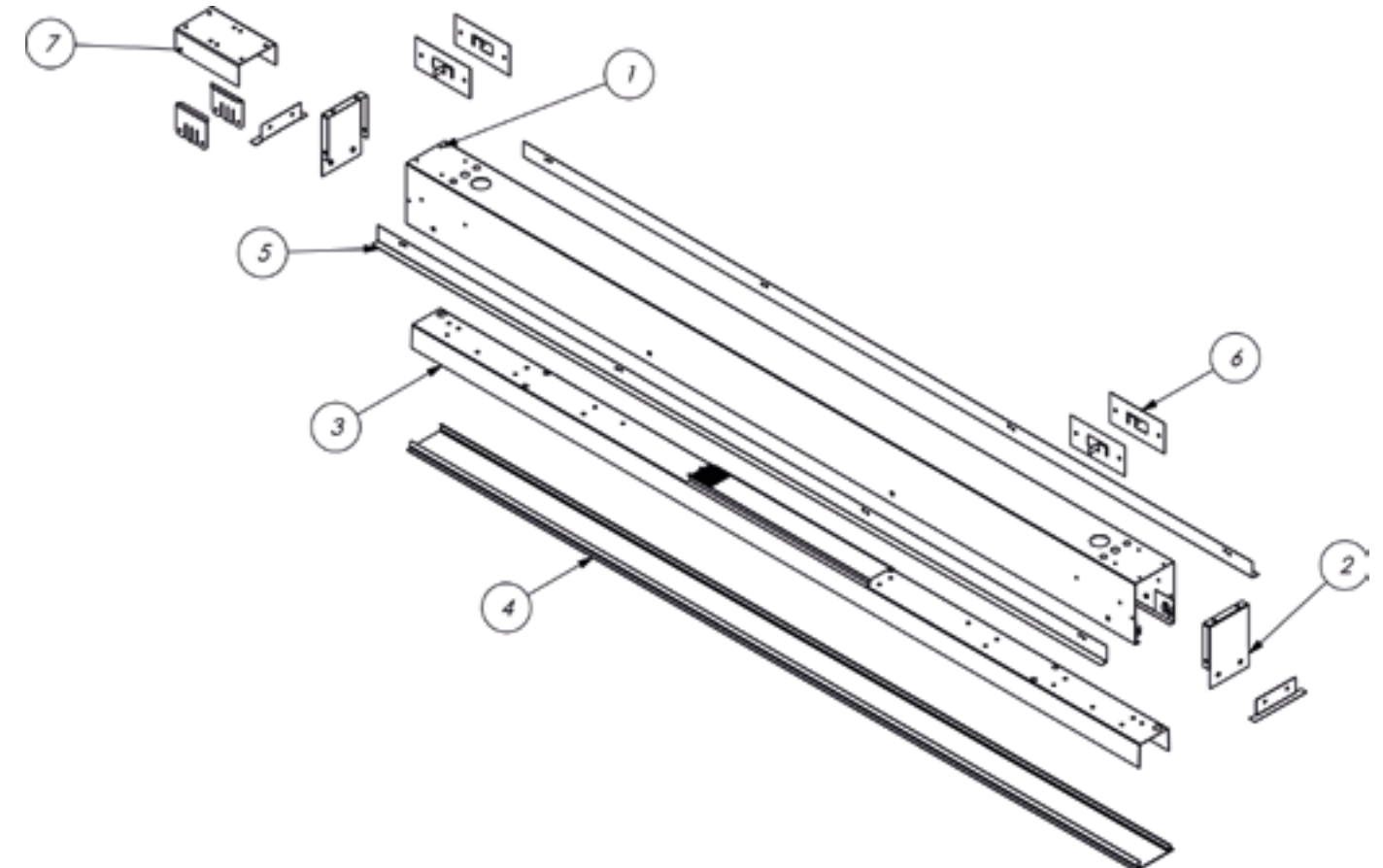
Size	L (Inches)	W (Inches)	H (Inches)	W Total
2"x 2FT	23,50	2,53	3,42	3,27
2"x 4FT	47,01	2,53	3,42	3,27

Packing

Size	Light Emission	Unit Weigh (Pounds)	Qty/ Pallet	Pallet's/ 40'Cnt	Weigth per Pallet (Pounds)
2"x 2FT	Led Modules	4,07	300	27	1221
2"x 4FT	Led Modules	7,04	190	27	1338

Features & Benefits

- Recessed Installation Option.
- Electrostatically applied polyester powder coat paint in Matte White Finish with 92% reflectance.
- 2"x 4FT. standard size. 2"x 2FT it's available, verify with factory.
- Acrylic Technical Frosted diffuser with 80% light transmission.
- Formed and welded in 23 Gauge steel (0.60mm).
- Can be mounted individually or in continuous runs.
- Custom LED Hole patterns are available, verify with factory.



LAL 3552 2"x 2FT			LAL 3552 2"x 4FT		
DESCRIPTION	PART NUMBER	QTT	DESCRIPTION	PART NUMBER	QTT
Body	3552 2210	1	Body	3352 2410	1
Headboard	3552 2231	2	Headboard	3552 2231	1
LED Chassis	3352 2206	1	LED Chassis	3352 2406	1
Extruded Lens	375 2252	1	Extruded Lens	375 2452	1
Ceiling Frame	3552 2205	1	Ceiling Frame	3552 2405	1
Earthquake Protection	02	4	Earthquake Protection	02	4
OPTIONAL ITEMS					
Joiner	3352 2217	1	Joiner	3352 2217	1

*Lens are optional, available to purchase separately.
*Metal Parts Only, Hardware necessary to assemble are not included.