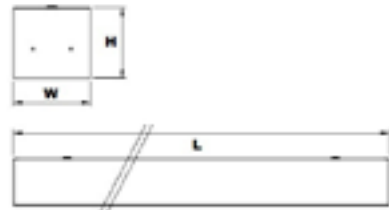




Dimensions



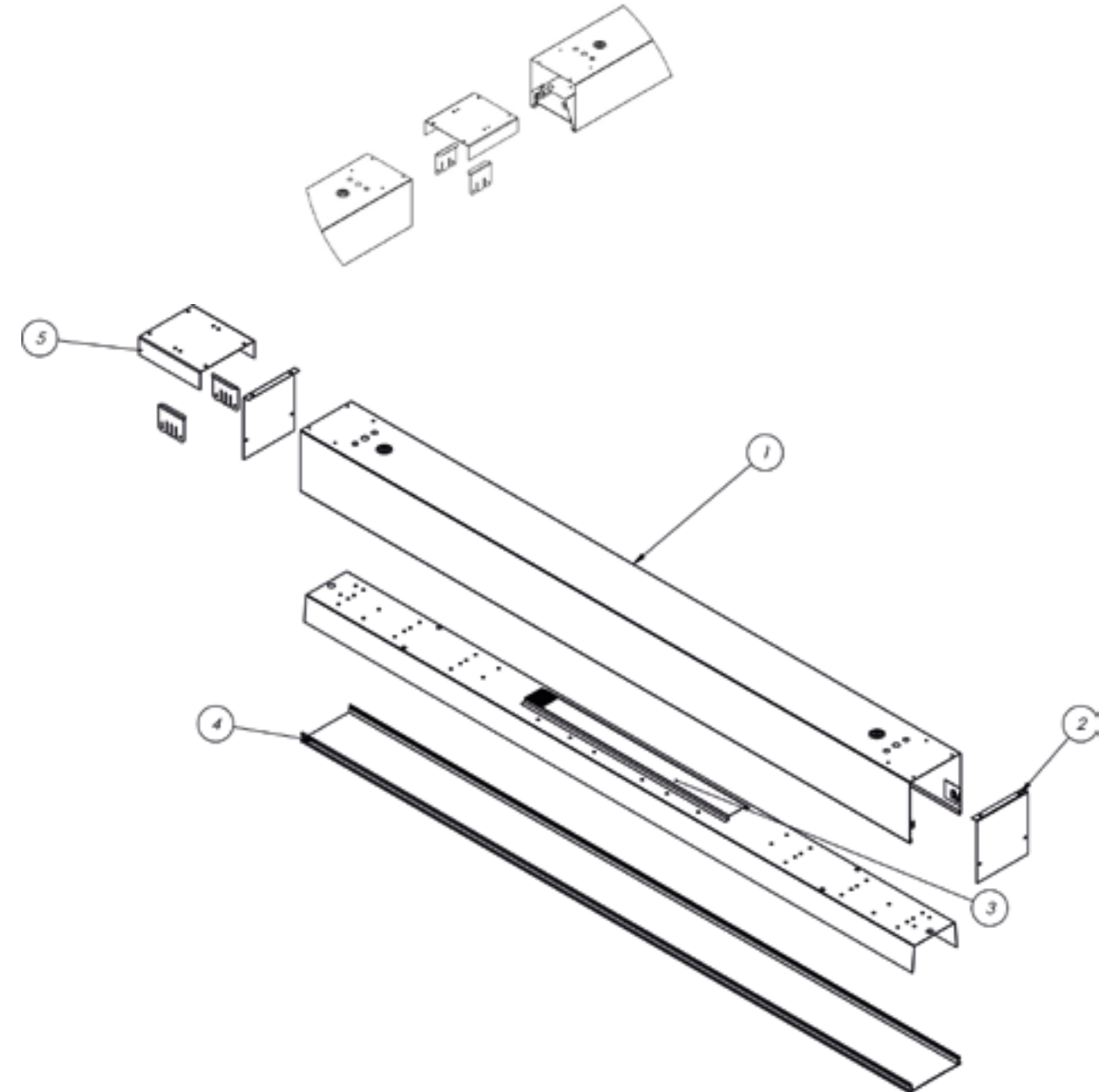
Size	L (Inches)	W (Inches)	H (Inches)
4"x 2FT	23,10	3,93	4,14
4"x 4FT	46,30	3,93	4,14
4"x 8FT	92,48	3,93	4,14

Packing

Size	Light Emission	Unit Weigh (Pounds)	Qtty/ Pallet	Pallet's/ 40'Cnt	Weigh per Pal-let (Pounds)
4"x 2FT	Led Modules	3,96	220	27	872
4"x 4FT	Led Modules	6,60	110	27	726
4"x 8FT	Led Modules	12,32	110	12	1356

Features & Benefits

- Pendant or Surface Installation Options.
- Electrostatically applied polyester powder coat paint in Matte White Finish with 92% reflectance.
- 4"x 4FT, 4"x 8FT standard sizes. 4"x 2FT it's available, verify with factory.
- Acrylic Technical Frosted diffuser with 80% light transmission.
- Formed and welded in 23 Gauge steel (0.60mm).
- Can be mounted individually or in continuous runs.
- Custom LED Hole patterns are available, verify with factory.



LAL 3352 4"x 2FT			LAL 3352 4"x 4FT			LAL 3352 4"x 8FT		
DESCRIPTION	PART NUMBER	QTT	DESCRIPTION	PART NUMBER	QTT	DESCRIPTION	PART NUMBER	QTT
Body	3352 4210	1	Body	3352 4410	1	Body	3352 4810	1
Headboard	3352 4231	2	Headboard	3352 4231	2	Headboard	3352 4231	2
LED Chassis	3352 4206	1	LED Chassis	3352 4406	1	LED Chassis	3352 4406	2
Extruded Lens	552 4252	1	Extruded Lens	552 4452	1	Extruded Lens	552 4452	2
OPTIONAL ITEMS								
Joiner	3352 4217	1	Joiner	3352 4217	1	Joiner	3352 4217	1

*Lens are optional, available to purchase separately.
*Metal Parts Only, Hardware necessary to assemble are not included.