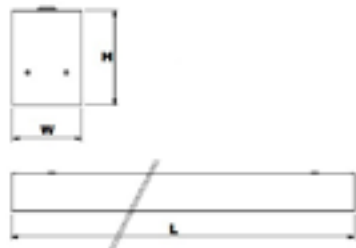


Dimensions



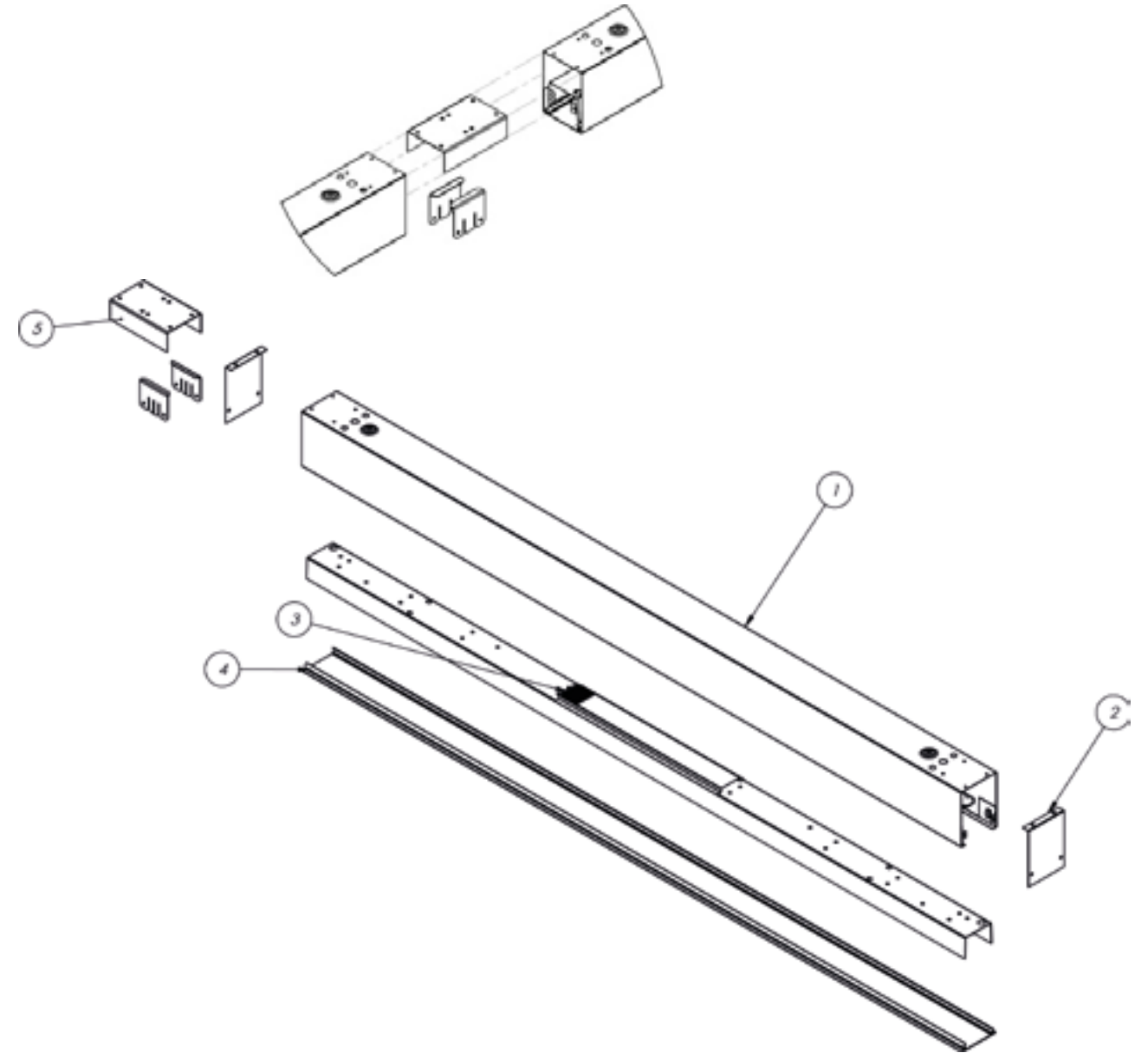
Size	L (Inches)	W (Inches)	H (Inches)
2"x 2FT	23,50	2,50	3,41
2"x 4FT	47,01	2,50	3,41

Features & Benefits

- Pendant or Surface Installation Options.
- Electrostatically applied polyester powder coat paint in Matte White Finish with 92% reflectance.
- 2"x 4FT. standard size. 2"x 2FT it's available, verify with factory.
- Acrylic Technical Frosted diffuser with 80% light transmission.
- Formed and welded in 23 Gauge steel (0.60mm).
- Custom LED Hole patterns are available, verify with factory.

Packing

Size	Light Emission	Unit Weigth (Pounds)	Qty/ Pallet	Pallet's/ 40'Cnt	Weigth per Pallet (Pounds)
2"x 2FT	Led Modules	3,08	300	27	924
2"x 4FT	Led Modules	5,72	235	27	1345



LAL 3352 2"x 2FT			LAL 3352 2"x 4FT		
DESCRIPTION	PART NUMBER	QTT	DESCRIPTION	PART NUMBER	QTT
Body	3352 2210	1	Body	3352 2410	1
Headboard	3352 2231	2	Headboard	3352 2231	1
LED Chassis	3352 2206	1	LED Chassis	3352 2406	1
Extruded Lens	375 2252	1	Extruded Lens	375 2452	1
OPTIONAL ITEMS					
Joiner	3352 2217	1	Joiner	3352 2217	1

*Lens are optional, available to purchase separately.
*Metal Parts Only, Hardware necessary to assemble are not included.