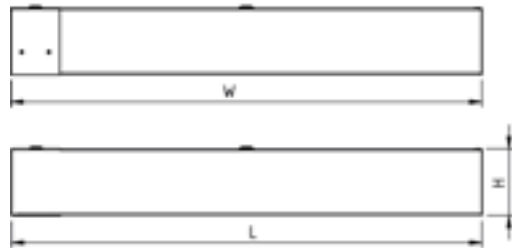


LAL 3352 2" x 90°



Dimensions



Size	L (Inches)	W (Inches)	H (Inches)
2" x 90°	24,06	24,06	3,39

Features & Benefits

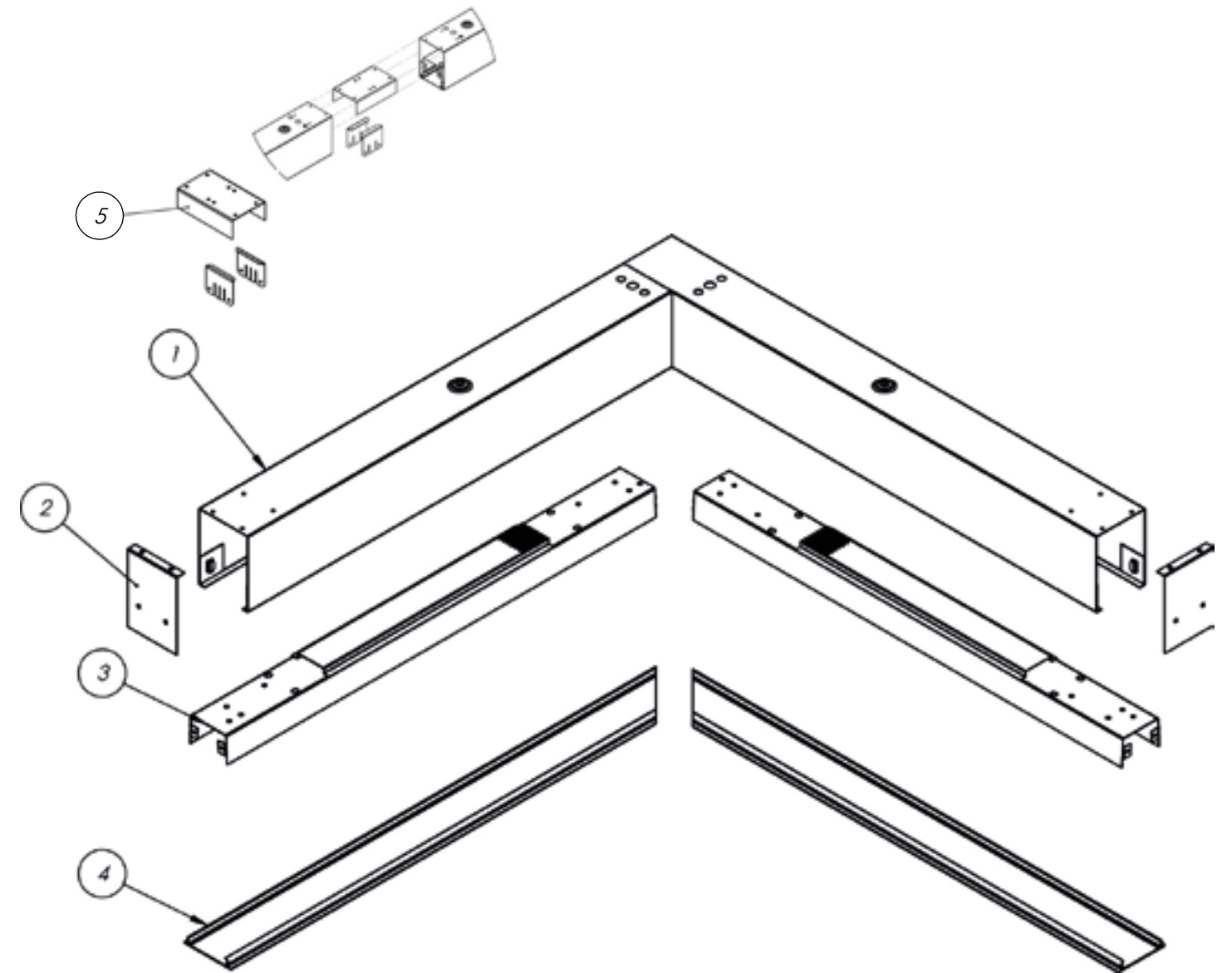
- Pendant or Surface Installation Options.
- Each option has its characteristics according with it's family, presented prior to this on the catalog. Look for the desired family to check the details about the product.
- 90° Curve piece, for square and curve installations.
- Formed and welded in 23 Gauge steel (0.60mm).

Packing

Size	Light Emission	Unit Weigh (Pounds)	Qty/ Pallet	Pallet's/ 40'Cnt	Weigh per Pallet (Pounds)
2" x 90°	Led Modules	5,28	100	27	528



LAL 3352 2" x 90°



LAL 3352 2" x 90°		
DESCRIPTION	PART NUMBER	QTT
Body	3352 29010	1
Headboard	3352 2231	2
LED Chassis	3352 29006	2
Extruded Lens	375 29052	2
OPTIONAL ITEMS		
Joiner	3352 2217	1

*Lens are optional, available to purchase separately.
*Metal Parts Only, Hardware necessary to assemble are not included.

