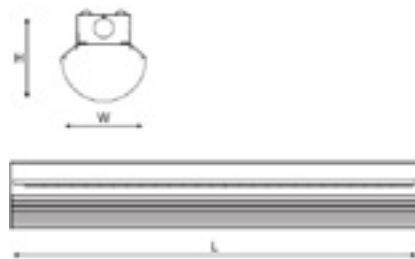


Dimensions



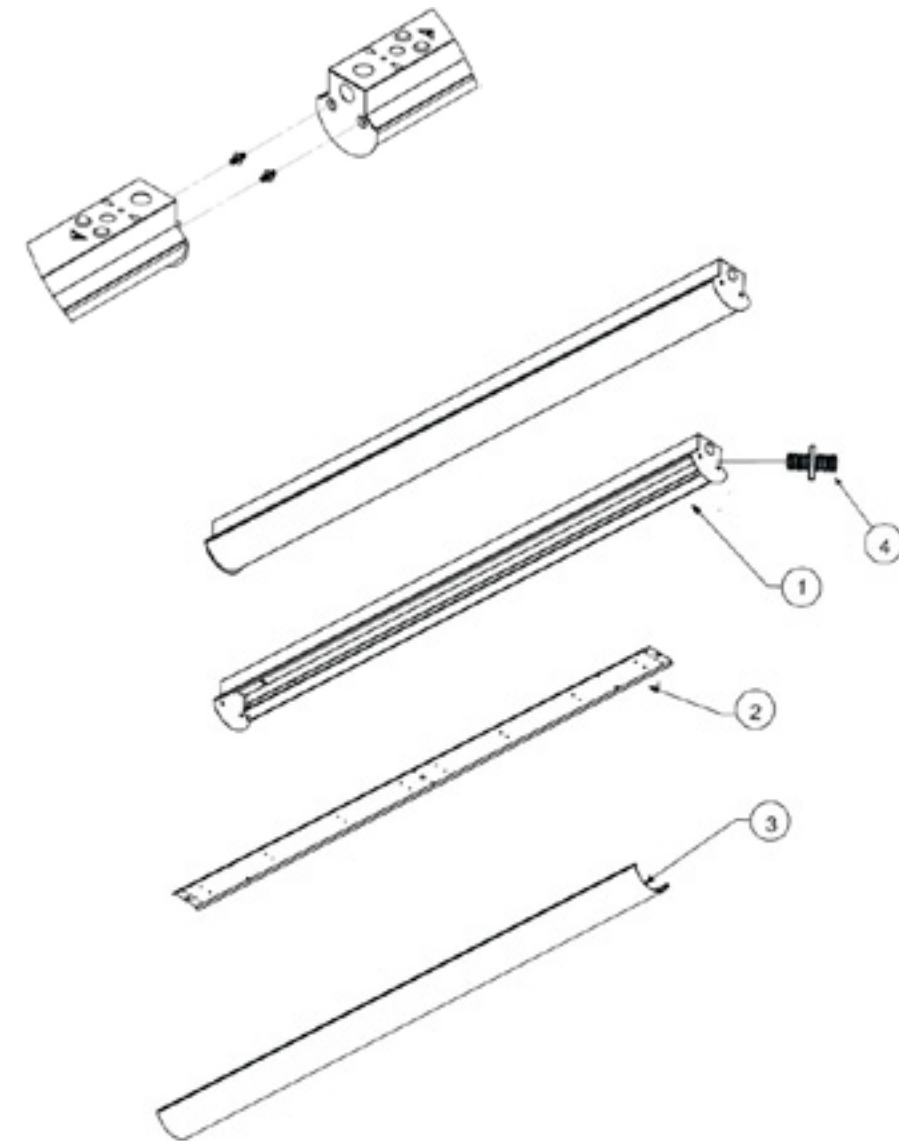
Size	L (Inches)	W (Inches)	H (Inches)
4FT	46,29	3,77	3,77
8FT	92,48	3,77	3,77

Features & Benefits

- Pendant or Surface Mounted.
- Electrostatically applied polyester powder coat paint in Matte White Finish with 92% reflectance.
- 4FT & 8FT Standard sizes. 2FT it's available, verify with factory.
- Formed and welded in 23 Gauge steel (0.60mm).
- Acrylic Technical ribbed diffuser with 90% light transmission.
- Can be mounted individually or in continuous runs.
- Custom LED Hole patterns are available, verify with factory.

Packing

Size	Light Emission	Unit Weigh (Pounds)	Qty/ Pallet	Pallet's/ 40'Cnt	Weigh per Pallet (Pounds)
4FT	Led Modules	3,74	196	27	734
8FT	Led Modules	7,15	196	12	1402



LAL 2474 4FT			LAL 2474 8FT		
DESCRIPTION	PART NUMBER	QTTY	DESCRIPTION	PART NUMBER	QTTY
Body	2474 1410	1	Body	2474 1810	1
LED Chassi	2474 1406	1	Fluor/LED Chassi	2474 1406	2
Extruded Lens	474 2452	1	Extruded Lens	474 2452	2
Joiner	2380 17	2	Joiner	2380 17	2

*Lens are optional, available to purchase separately.
*Metal Parts Only, Hardware necessary to assemble are not included.