



Dimensions



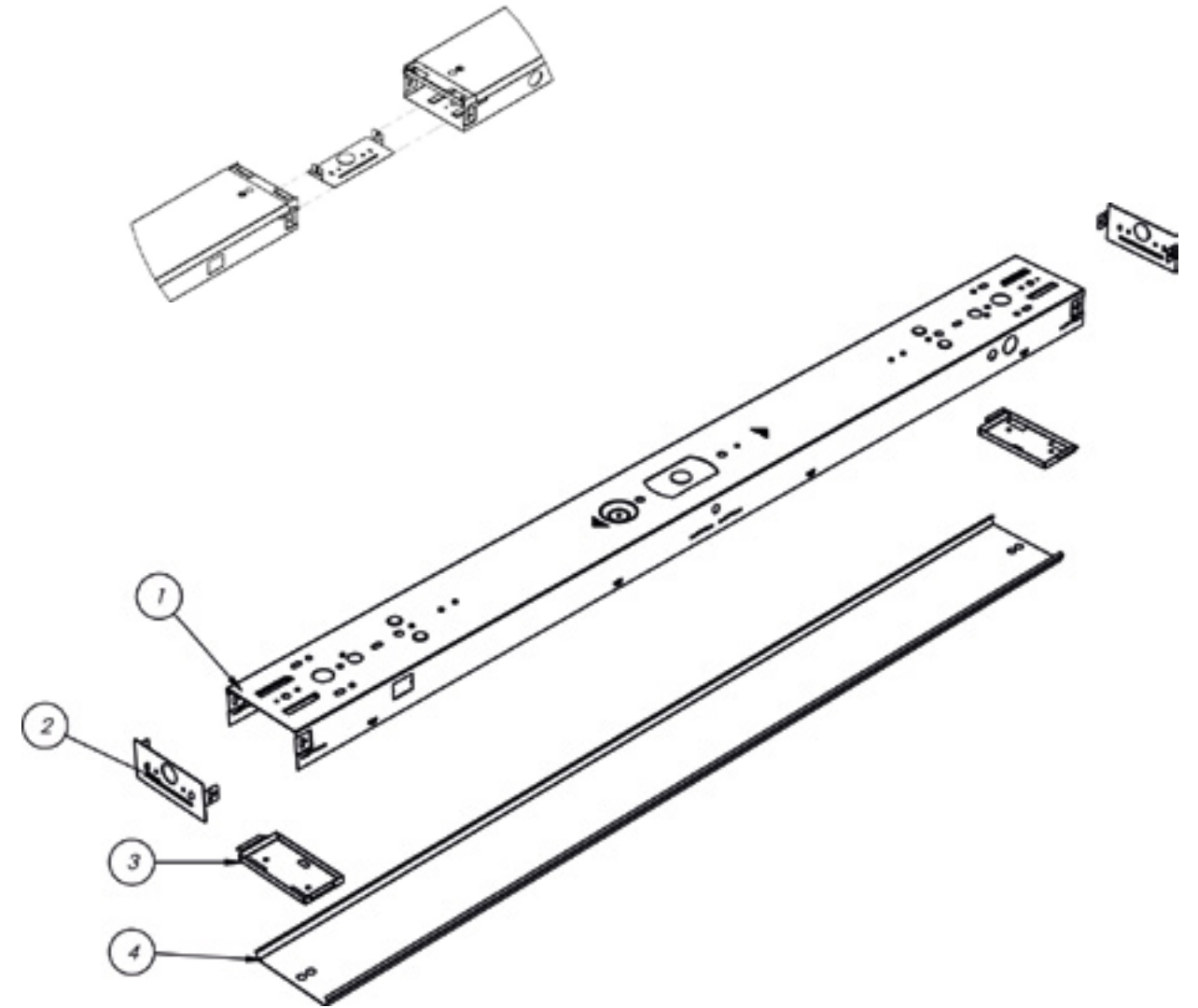
Features & Benefits

- Surface Mounted.
- Electrostatically applied polyester powder coat paint in Matte White Finish with 92% reflectance.
- 4FT & 8FT Standard sizes. 2FT it's available, verify with factory.
- Socket 2 x T8 Lamp Standard. 1 & 3 T8 Lamp, HO lamp available, verify with factory.
- End Top also used as Joinner on continuous runs installation.
- Formed and welded in 23 Gauge steel (0.60mm).

Size	L (Inches)	W (Inches)	H (Inches)
4FT	47,95	4,21	1,93
8FT	95,80	4,21	1,93

Packing

Size	Light Emission	Unit Weigth (Pounds)	Qty/ Pallet	Pallet's/ 40'Cnt	Weigth per Pallet (Pounds)
4FT	Lamp LED	4,73	312	25	1476
8FT	Lamp LED	9,13	312	12	2849



FS 100 4FT			FS 100 8FT		
DESCRIPTION	PART NUMBER	QTTY	DESCRIPTION	PART NUMBER	QTTY
Body	100 1410	1	Body	100 1810	1
End Plate	100 31	2	End Plate	100 31	2
Socket Plate	128 11	2	Socket Plate	128 11	4
Ballast Cover	100 1461	1	Ballast Cover	100 1461	2

*Lens are optional, available to purchase separately.
*Metal Parts Only, Hardware necessary to assemble are not included.