

Corisco ROT



Dimensions



Size	L (Inches)	W (Inches)	H (Inches)
2FT	23,89	2,79	2,79
4FT	46,25	2,79	2,79

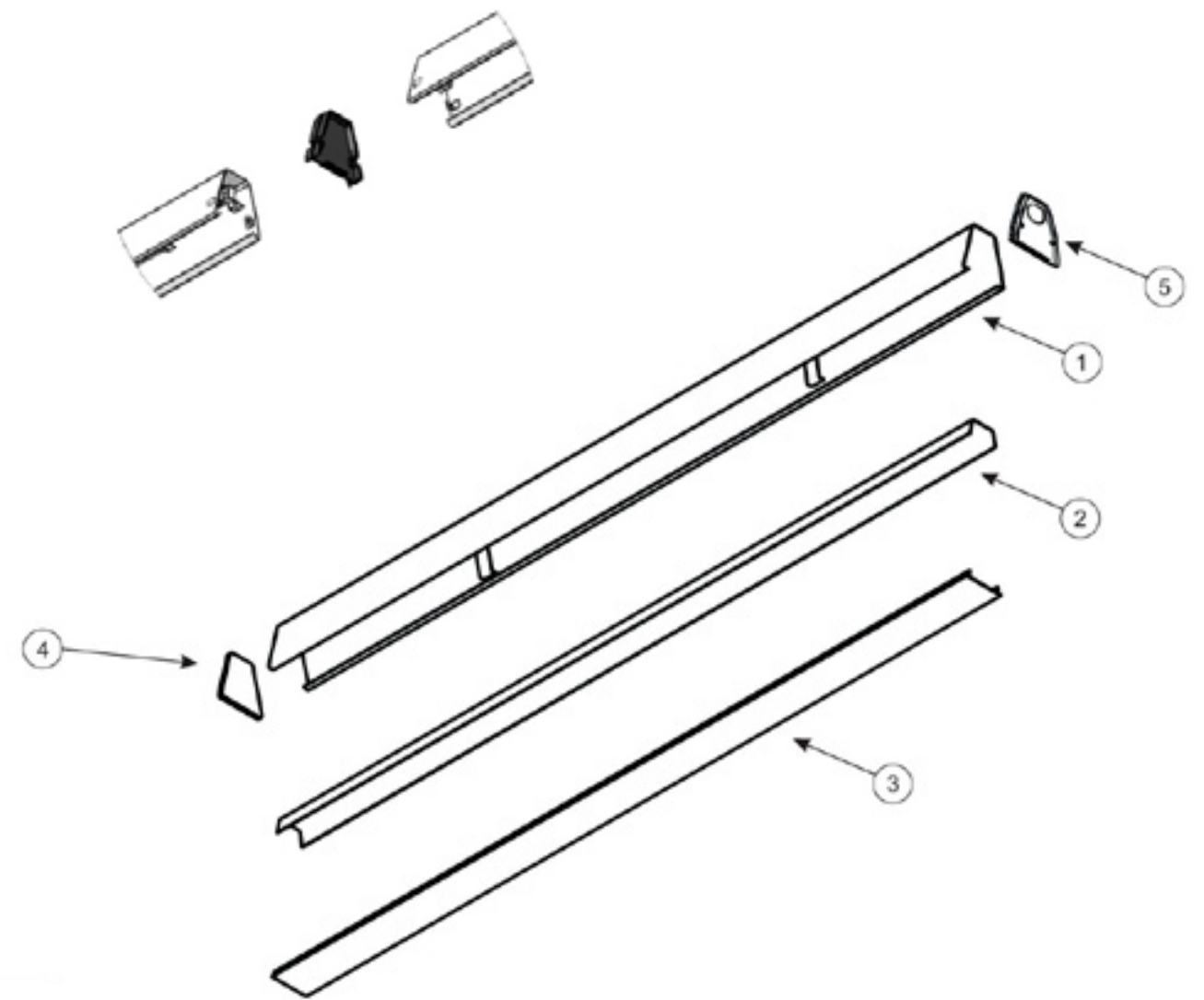
Features & Benefits

- Pendant Mounted.
- Electrostatically applied polyester powder coat paint in Matte White Finish with 92% reflectance.
- Acrylic Technical Frosted diffuser with 80% light transmission.
- Formed and welded in 23 Gauge steel (0.60mm).
- Can be mounted individually or in continuous runs.
- End Cap & Joiner attach to the body.
- Custom LED Hole patterns are available, verify with factory.

Packing

Size	Light Emission	Unit Weigh (Pounds)	Qty/ Pallet	Pallet's/ 40'Cnt	Weigh per Pallet (Pounds)
2FT	Led Modules	2,53	350	27	886
4FT	Led Modules	4,40	250	27	1100

Corisco ROT



CORISCO ROT 2FT			CORISCO ROT 4FT		
DESCRIPTION	PART NUMBER	QTT	DESCRIPTION	PART NUMBER	QTT
Body	COR 1210	1	Body	COR 1410	1
Led Chassi	CORDLC 1206	1	Led Chassi	CORDLC 1406	1
Extruded Lens	375 2252	1	Extruded Lens	375 2452	1
End Tops	COR 16	2	End Tops	COR 16	2
Joiner	COR 17	1	Joiner	COR 17	1

*Lens are optional, available to purchase separately.
*Metal Parts Only, Hardware necessary to assemble are not included.